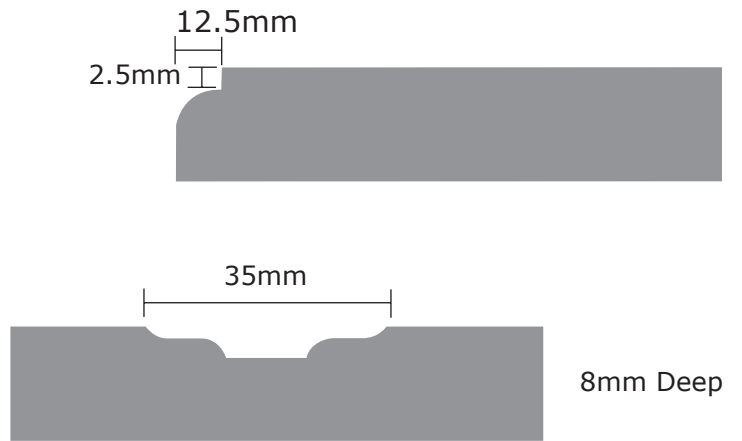


Octagonal



Door Design - Octagonal

Edge - Stepped Postformed

Cutter - Emily Single Pass

Minimum Draw Front Height- 115mm

Borders - 50mm

Notes

QUADRANT DOOR SPEC

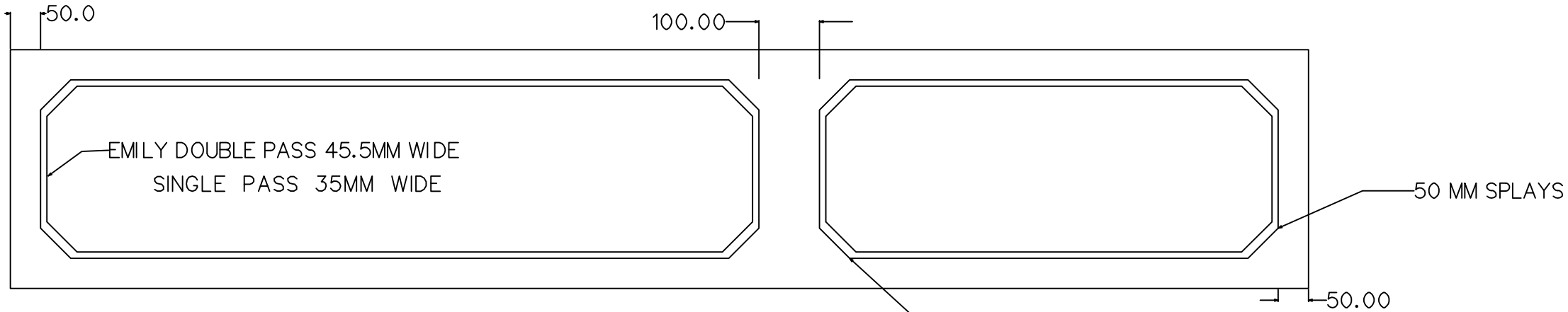
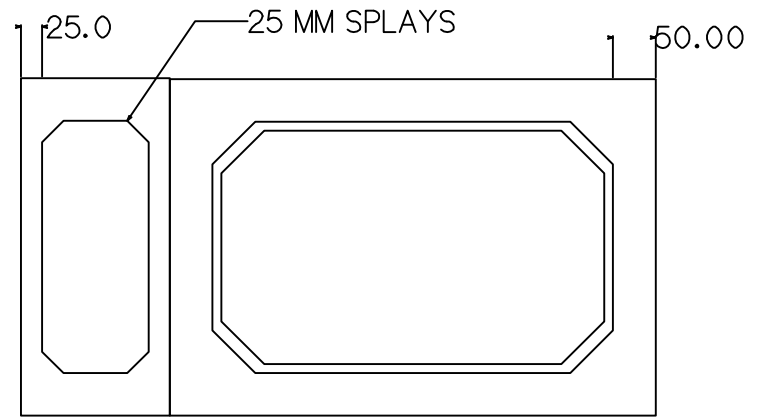
DOORS ARE 50MM BORDERS ALL ROUND

DF'S 50MM STILES 25MM TOP & BOTTOM

DF'S MINIMUM HEIGHT =140 WITHOUT BORDER REDUCTION

115MM MINIMUM

ANY SPLIT AVAILABLE 60/40 STD



ALL OTHER CUTTERS ARE AVAILABLE

END PROFILE SHOWING EMILY CUTTER

50X50 SPLAYS TO ALL CORNERS

