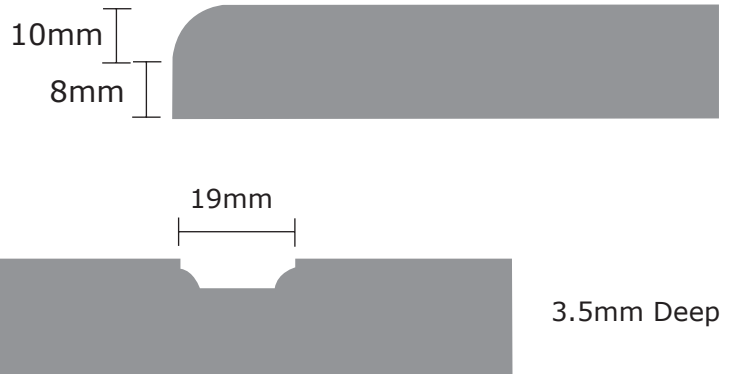


Roman Arch



Door Design - Roman Arch

Edge - 10mm Postformed

Cutter - York

Minimum Draw Front Height - 115mm

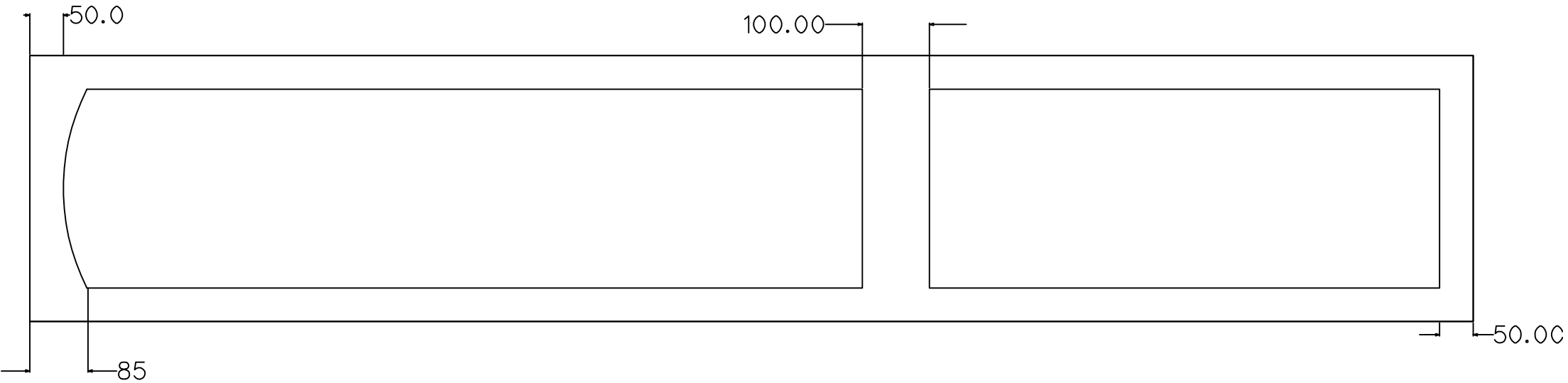
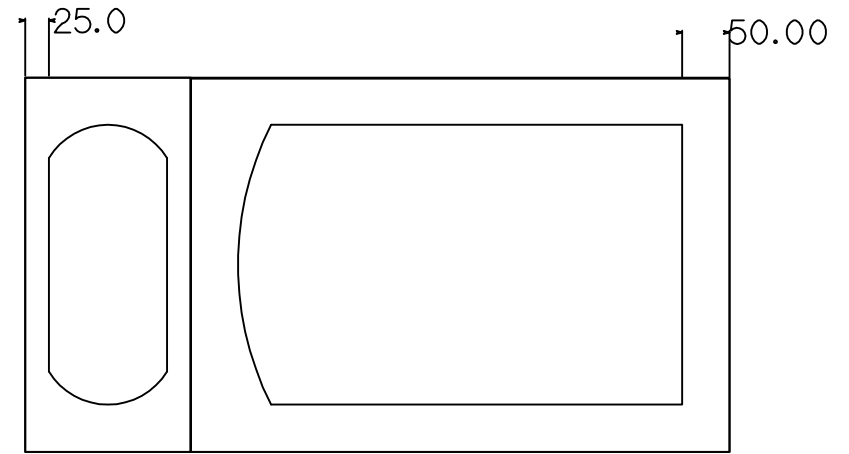
Borders - 50mm

Notes

YORK ROMAN ARCH DOOR SPEC

DOORS ARE 50MM BORDERS ALL ROUND
DF'S 50MM STILES 25MM TOP & BOTTOM
DF'S MINIMUM HEIGHT = 125 WITHOUT BORDER REDUCTION
115MM MINIMUM

ANY SPLIT AVAILABLE 60/40 STD



ALL OTHER CUTTERS ARE AVAILABLE

