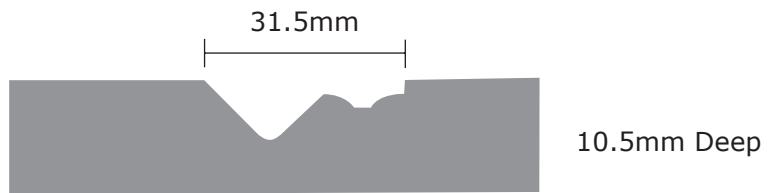


Rose Marie



Door Design - Rose Marie

Edge - 10mm Postformed

Cutter - Westminster & Cove

Minimum Draw Front Height -

Borders - 50 to Westminster Cutter

Notes

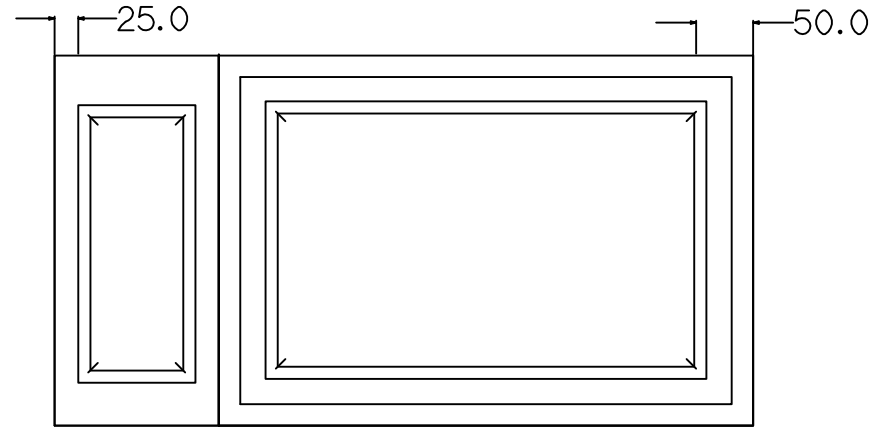
ROSE MARIE DOOR SPEC

DOORS ARE 50MM BORDERS ALL ROUND

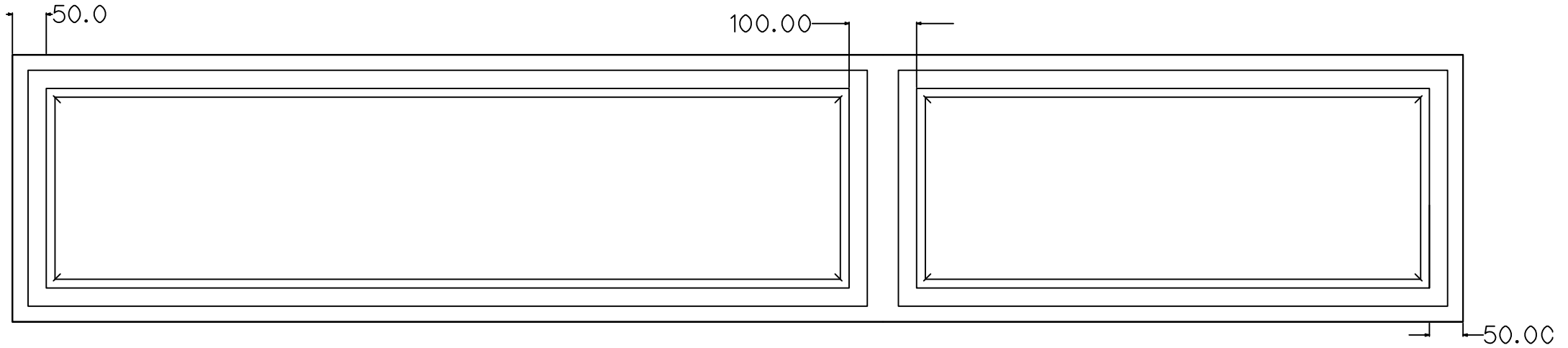
DF'S 50MM STILES 25MM TOP & BOTTOM

DF'S MINIMUM HEIGHT =140 WITHOUT BORDER REDUCTION

115MM MINIMUM



ANY SPLIT AVAILABLE 60/40 STD



WESTMINSTER CUTTER PROFILE WITH COVE

