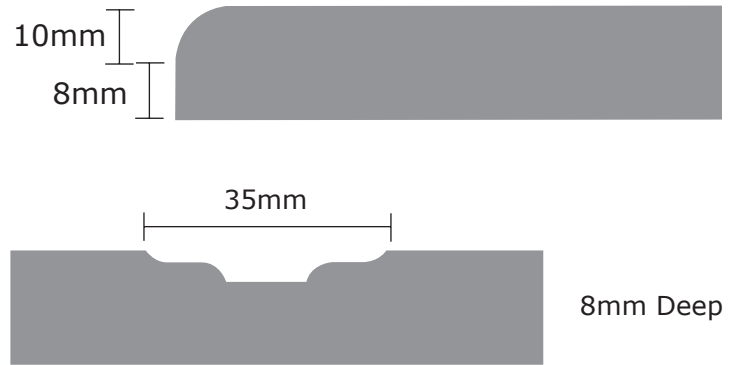


Single Arch



Door Design - Single Arch

Edge - 10mm Postformed

Cutter - Emily Single Pass

Minimum Draw Front Height- 115mm

Borders - 50mm

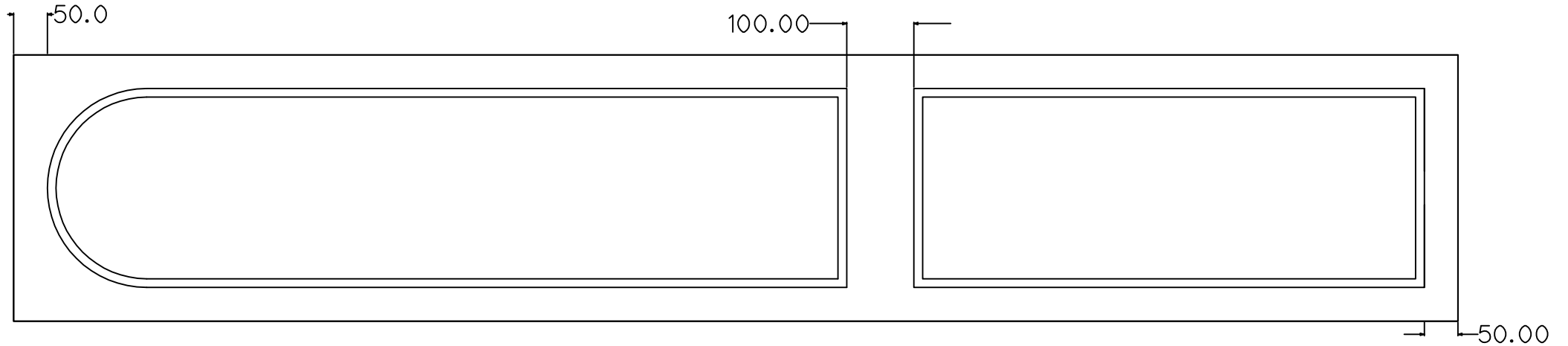
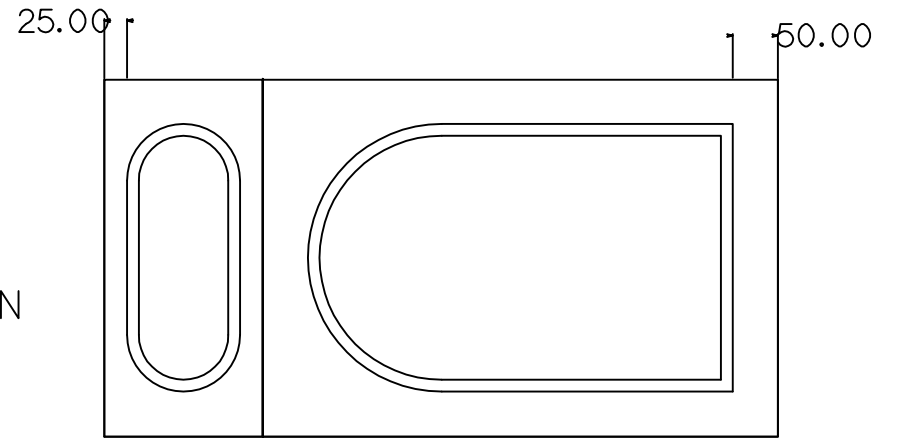
Notes

SINGLE ARCH SPEC

THE MINIMUM DOOR HEIGHT IS WIDTH / 2 + 50

BASED ON WESTMINSTER CUTTERS
DOORS ARE 50MM BORDERS ALL ROUND
DF'S 50MM STILES 25MM TOP & BOTTOM
DF'S MINIMUM HEIGHT = 140 WITHOUT BORDER REDUCTION
115MM MINIMUM

ANY SPLIT AVAILABLE 60/40 STD



ALL CUTTERS AVAILABLE IN THIS DESIGN

WESTMINSTER CUTTER PROFILE

