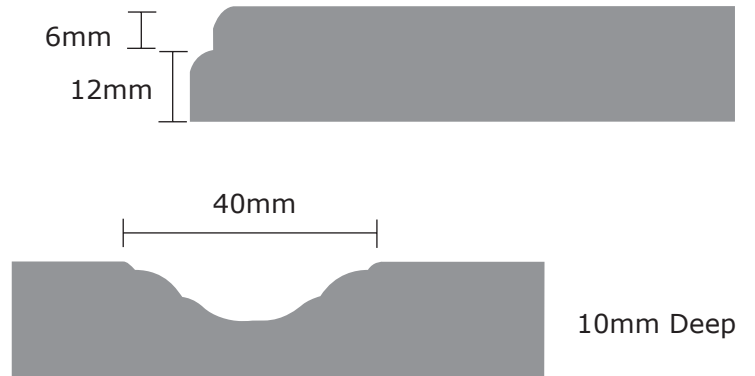


# Twin Panel



Door Design - Twin Panel

Edge - Waterfall

Cutter - Chelsea

Minimum Draw Front Height - 140mm

Borders - 50mm

## Notes

Twin Panel reverts to single panel under 345mm wide

# TWIN PANEL SPEC

BASED ON CHELSEA SQ

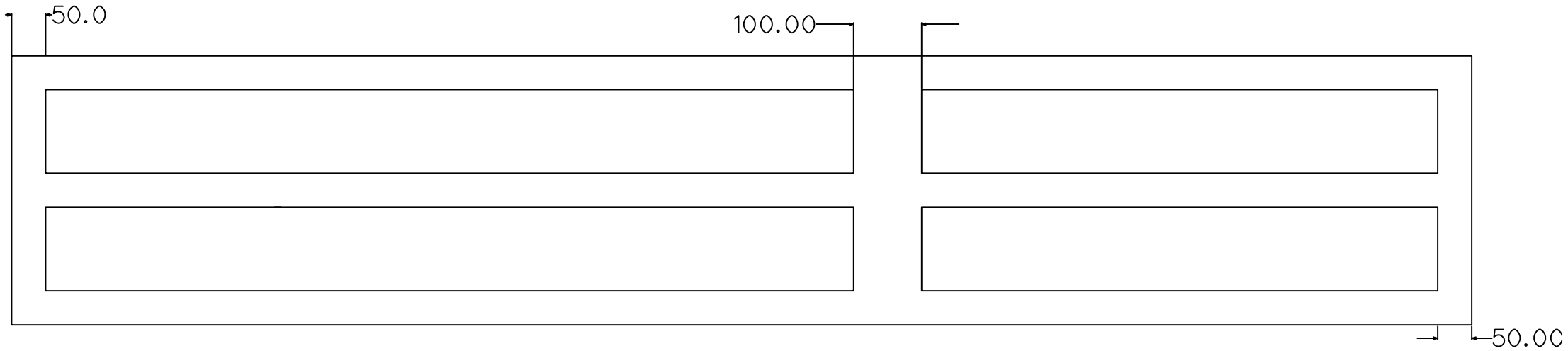
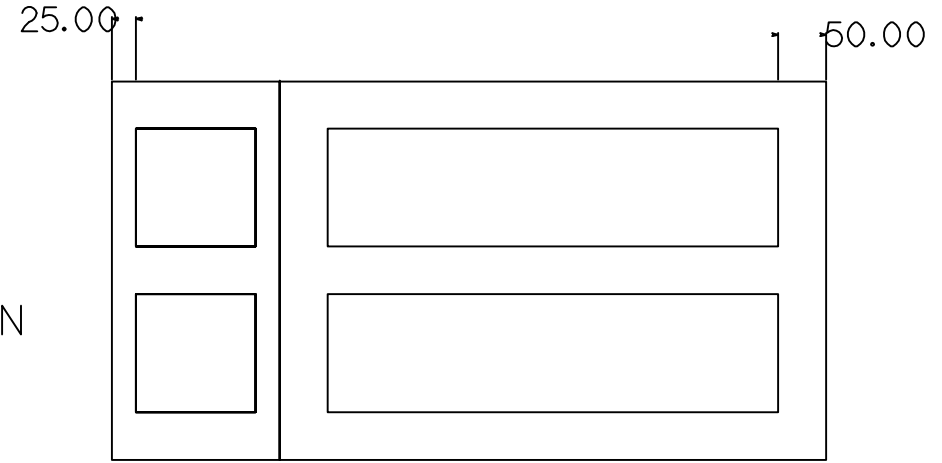
DOORS ARE 50MM BORDERS ALL ROUND

DF'S 50MM STILES 25MM TOP & BOTTOM

DF'S MINIMUM HEIGHT =150 WITHOUT BORDER REDUCTION

135MM MINIMUM

ANY SPLIT AVAILABLE 60/40 STD



ALL OTHER CUTTERS ARE AVAILABLE

END PROFILE SHOWING CHELSEA CUTTER

